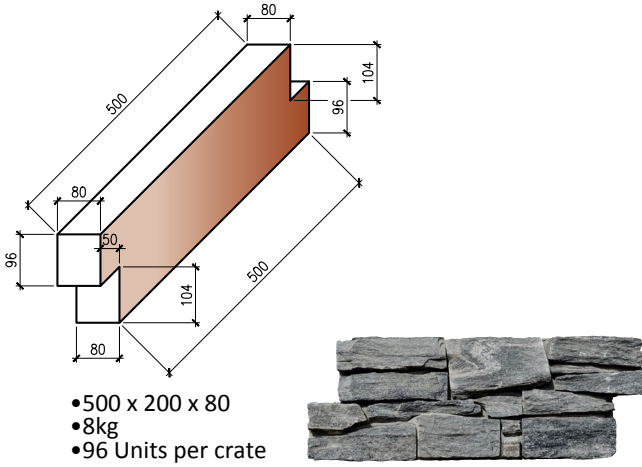
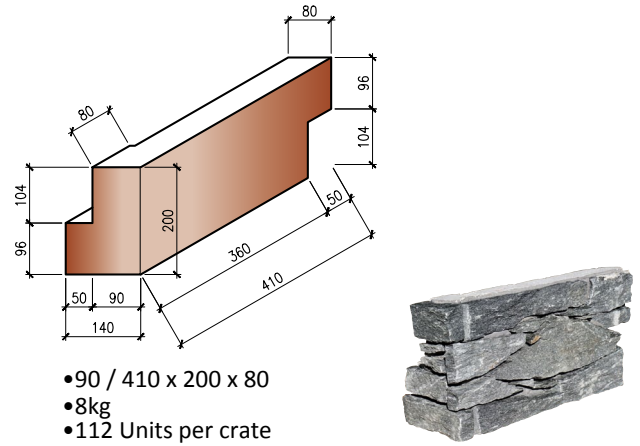


Product Sizes

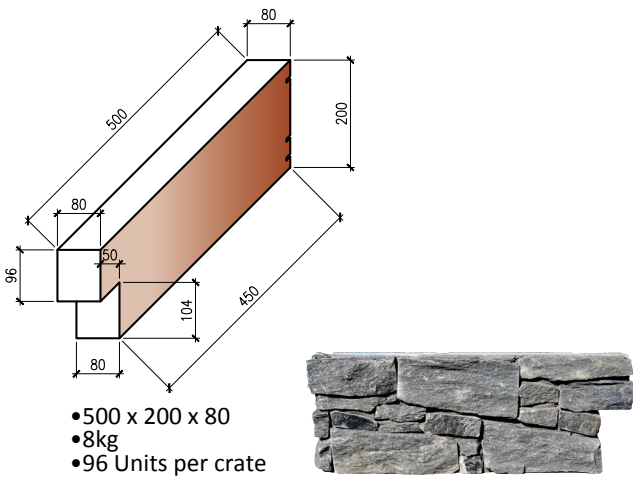
3.1 Type 1 – Full Size Z Brick (ZB)



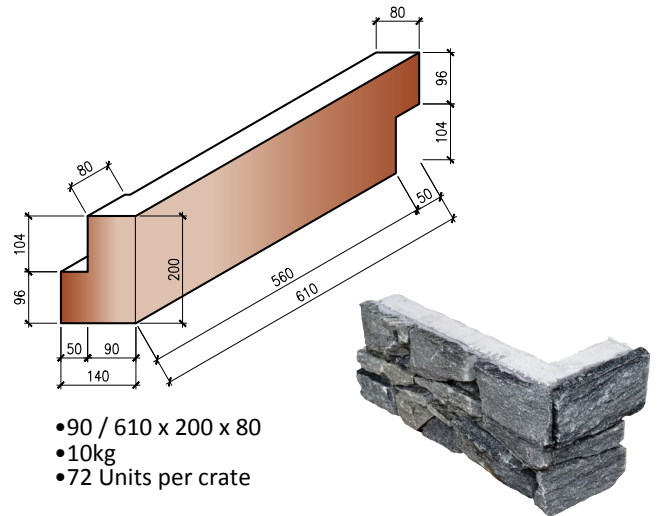
3.4 Type 4 – Small Corners 410mm Column Block (ZBSCE)



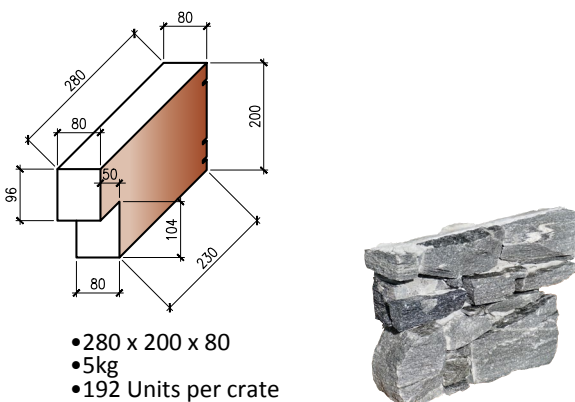
3.2 Type 2 – Full Size End Brick (ZBE)



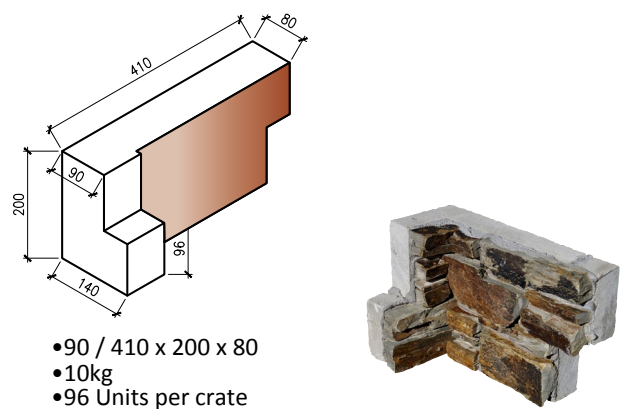
3.5 Type 5 – Large Corners 610mm Column Block (ZBLCE)



3.3 Type 3 – Half Size End Brick (ZBHE)

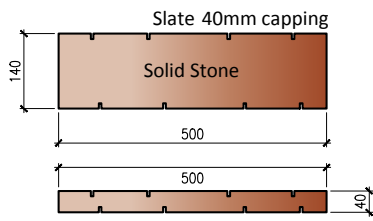


3.6 Type 6 – Internal Corner 410mm Column Block (ZBSCI)



Product Sizes

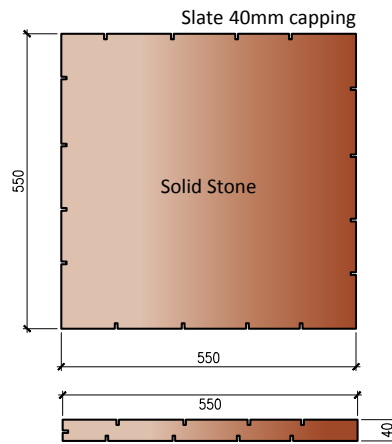
3.7 Type 7 – Sill Cap (CS140)



- 500 x 140 x 40
- 10kg
- 50 Units per crate



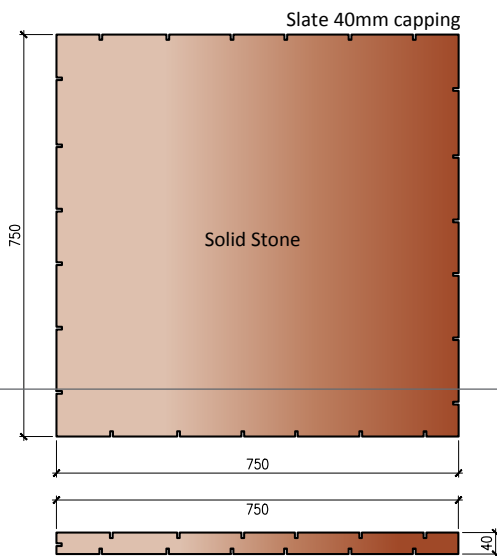
3.8 Type 8 – 550mm Column Caps (CS550)



- 550 x 550 x 40
- 38kg
- 25 Units per crate



3.9 Type 9 – 750mm Column Caps (CS750)



- 750 x 750 x 40
- 55kg
- 10 Units per crate



Unit Size & Tolerance

Dimensional Tolerances

- Each component to the range will be +/- 5mm from the stated 'nominal size' with the exception of the front face width (80mm).
- The concrete component shall not be less than 50mm thick around the perimeter of each unit, with the combined front face thickness not being less than 80mm.
- Some stone pieces may protrude from the Designa Schist face. The combined concrete and stone dimension can go up to 88mm.
- All Designa Schist have a mortared look, with a 7mm - 9mm min. mortared gap between stones.